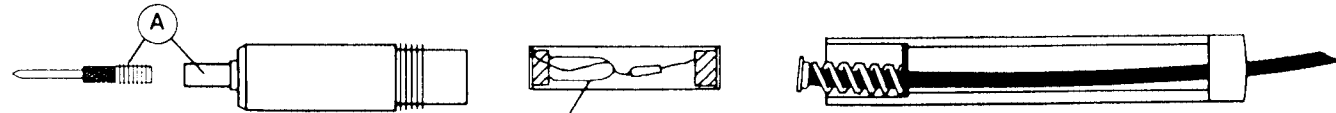


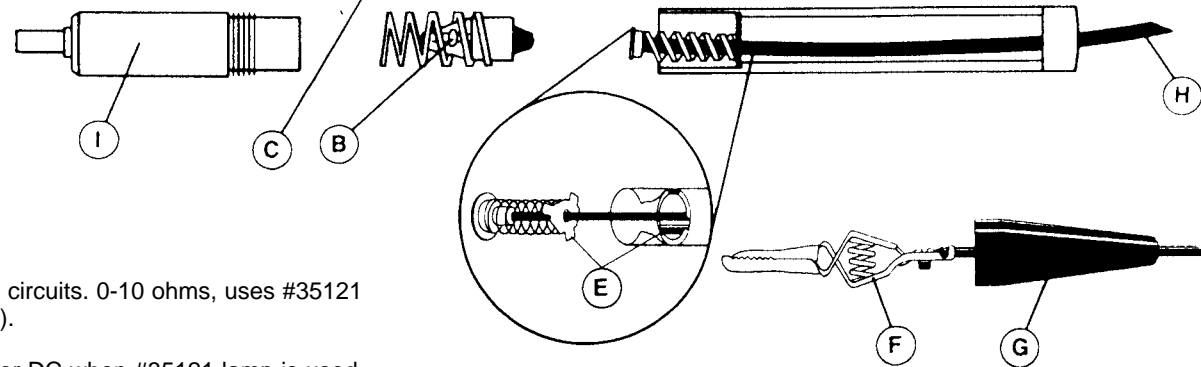
## MODE 1



## MODE 2



## MODE 3



**MODE 1** Continuity tester for unpowered circuits. 0-10 ohms, uses #35121 lamp with two AAA batteries (not supplied).

**MODE 2** Voltage tester 60-600 volts AC or DC when #35121 lamp is used without batteries.

**MODE 3** Voltage tester 0-60 volts AC or DC when various lamps are used without batteries.

- A. Probe tip is included. Item 00100 will also used any tip with 10-32 thread.
- B. #35121 3 volt lamp is included for use in Mode 1 and Mode 3. Operates from 2 to 3 volts in Mode 3.
- C. Gas lamp 60-600 volts for Mode 2 operation (included).
- D. Two AAA batteries for use in Mode 1 (not supplied).

- E. Three point washer rides on internal steps in handle. Slides to lower position for Mode 1, upper position for Modes 2 and 3.
- F. The other end of the 3 foot wire lead is terminated with a #85 Mueller ground clip.
- G. Black insulator over clip for high voltage applications.
- H. Wire is 3' long, high flex 105 strand copper, with black PVC insulated jacket.
- I. Clear butyrate "window" allows 360 view of indicator light at tip.

Made in U.S.A.

Tester, Continuity & Voltage Circuitracer®

# MENDA

3651 WALNUT AVE., CHINO, CA 91710  
PHONE: (909) 627-2453 • FAX: (909) 755-8848  
WEBSITE: [www.mendapump.com](http://www.mendapump.com)

DRAWING NUMBER  
35100

DATE:  
07/01